

SEMICON[®] Taiwan 2012

TWTC Nangang Exhibition Hall
Upper Level Exhibition Hall Plan(4F)
Sept. 5~7, 2012

Floor Loading: 2000kg/m²

Ceiling Height: 14.3m~27.3m

Exhibits Entrance:

L: 11.0m(W.) x 4.0m (H.)

M: 11.9m(W.) x 8.5m (H.)

N: 10.1m(W.) x 4.0m (H.)

全區: L+M+N=1250 Units

6.1米走道: Main Aisle: 6.1 meters wide

▶ Hydrant 消防栓(含火警綜合盤)

▶ Fire Alarm Panel 火警綜合盤

▷ Extinguisher 滅火器

● Control Panel 電箱

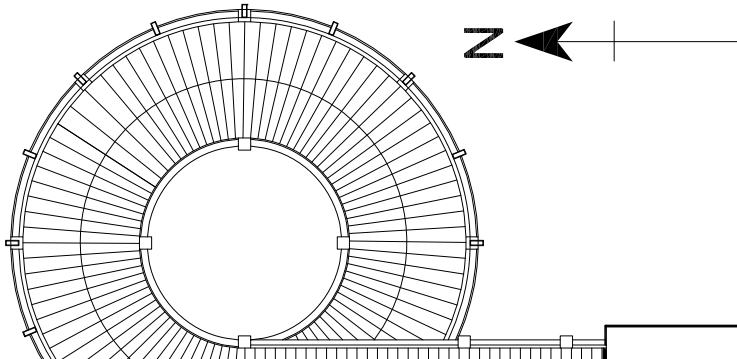
■ Emergency Exit 緊急出口(避難方向指示燈)

註: 1. 火警盤、滅火器、消防栓、電箱、避難方向指示燈等皆不得封閉,

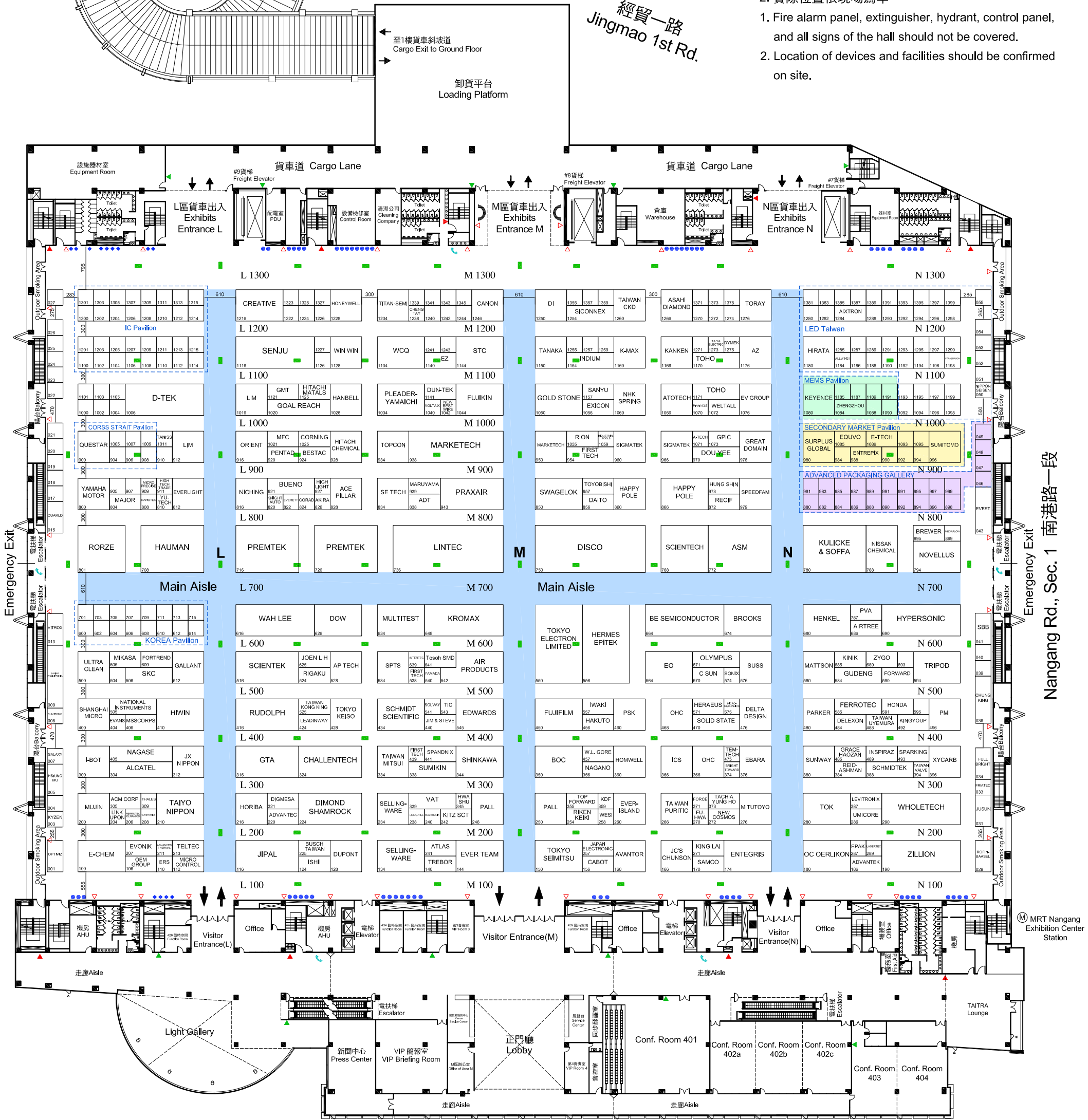
2. 實際位置依現場為準。

1. Fire alarm panel, extinguisher, hydrant, control panel, and all signs of the hall should not be covered.

2. Location of devices and facilities should be confirmed on site.



經貿一路
Jingmao 1st Rd.



經貿二路 Jingmao 2nd Rd.

MRT Nangang Exhibition Center Station